

HY (F) 201 电直驱伺服阀（比例伺服阀）

HY(F)201 electric direct-drive servo valve (proportional servo valve)



技术参数

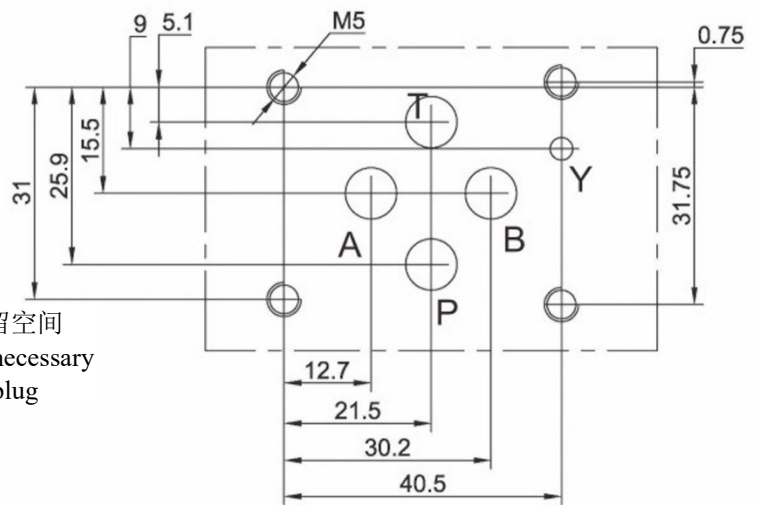
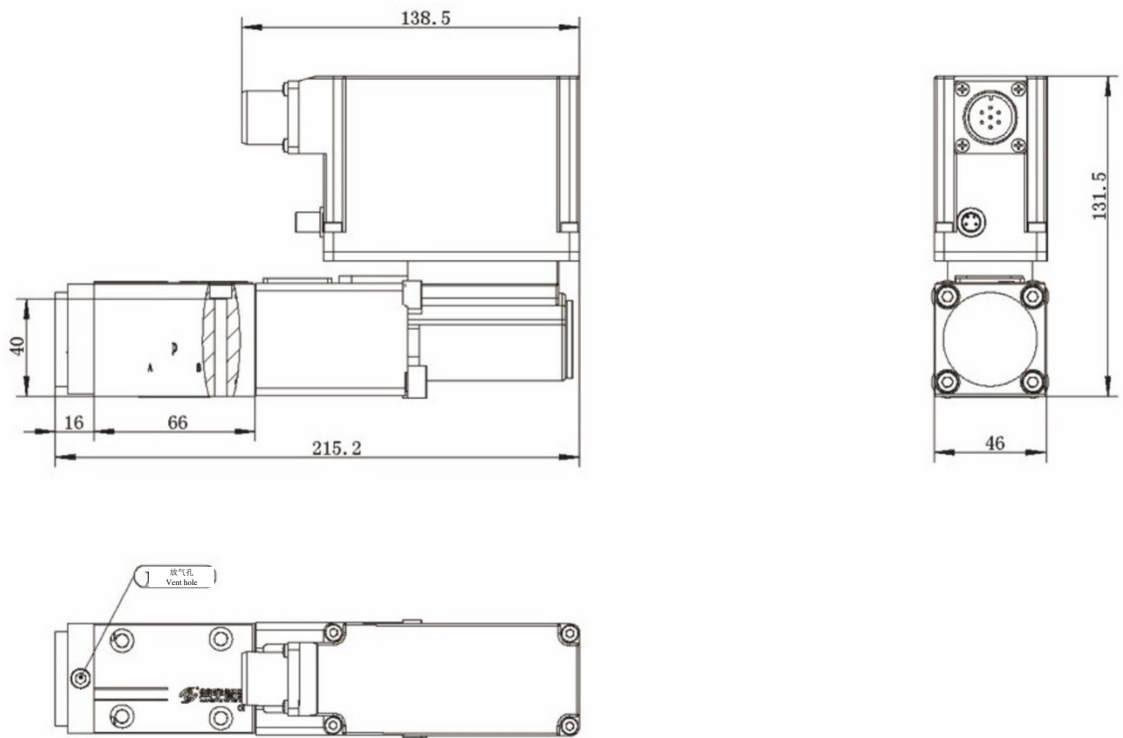
Technical Parameters

产品型号 Product model	HY(F)201						
通径 Diameter	6						
贮存温度范围 Storage temperature range	-35°C~+70°C						
环境温度范围 Ambient temperature range	-25°C~+85°C						
重量 (kg) Weight (kg)	2.3						
最大工作压力 (MPa) Maximum working pressure (MPa)	油口 A,B,P=35 Oil ports A, B, P=35						
	油口 T=21 Oil port T=21						
额定工作压力 (MPa) Rated working pressure (MPa)	28						
额定流量 Qn(L/min) Rated flow Qn(L/min) ρP=7MPa	0(L)	1(L)	1(V)	3(L)	3(V)	5(L、T)	7 (L、T、V、D、DT)
	4	7	8	14	20	28	40
响应时间 (ms) Response time (ms)	≤10						
滞环% (最大调节量的%) Hysteresis, % (% of the maximum regulated quantity)	≤1						

重复精度% (最大调节量的%) Repeatability, % (% of the maximum regulated quantity)	±0.1
20°C 时线圈电阻 R Coil resistance R at 20°C	3~3.3Ω
电磁线圈最大电流 Maximum current of solenoid coil	2.6A
线性度 (%) Linearity (%)	≤3
对称度 (%) Symmetry (%)	≤10
分辨率 (%) Resolution (%)	≤0.1
幅频(-3dB)(Hz) Amplitude frequency (-3dB) (Hz)	≥80
相频(-90°)(Hz) Phase frequency (-90°) (Hz)	≥80
零偏 (%) Zero bias (%)	≤±2
压力增益 (%) Pressure gain (%)	≥40

外形及安装尺寸图

Outline and Installation Dimension Drawing



注:①=放气孔②=拆装主插头所需预留空间
 Note: ①= Vent hole ②= Reserved space necessary for removal and installation of main plug

P、T、A、B=Φ7.5mm

Y=Φ3.3mm

电气定义

Electrical definition

引脚 Pin	接线定义 Wiring definition	技术描述 Technical description	注释 Note
A	+24V	电源+24VDC/50W Power supply +24VDC/50W	供电电源+24VDC 接线端 Power supply +24VDC terminal

B	0V	+24V 电源地 GND +24V power ground GND	电源+24VDC 的参考地 Power supply +24VDC reference ground
C	FK-	控制盒内部 GND (对应 FK+) Control box internal GND (corresponding to FK+)	反馈信号负 Feedback signal -
D	T+g	输入控制信号: 0~±10VDC/4~20mA Input control signal: 0~±10VDC/4~20mA	控制信号正向输入端 Positive input end of control signal 0~±10VDC 输入阻抗 10KΩ 0~±10VDC input impedance 10K Ω 4~20mA 输入阻抗 200Ω 4~20mA input impedance 200 Ω
E	T-g	输入控制信号负 (对应 Tg+) Input control signal - (corresponding to Tg+)	控制信号负向输入端 Control negative input end of signal
F	FK+	输出反馈信号: 0~±10VDC/4~20mA Output feedback signal: 0~±10VDC/4~20mA	输出反馈阀芯位置信号 Output feedback core position signal 0~±10VDC 推荐阻抗为 1KΩ The recommended impedance for 0~±10VDC is 1K Ω 4~20mA 推荐阻抗为 100Ω The recommended impedance for 4~20mA is 100 Ω
G	PE	内部连接到放大器壳体上 Internally connect to the amplifier housing	屏蔽端 Shielding end

电直驱伺服阀配件及附件清单

List of parts and accessories of electric direct-drive servo valve

配件名称 Name of part	数量 qty. Quantity	配件名称 Name of part	数量 qty. Quantity
J、H、P、T 口密封圈 (Φ9*1.8) Sealing ring of J, H, P and T ports (Φ9*1.8)	4	护板 Guard plate	1
安装螺钉 (M6*50) Mounting screw (M6*50)	4	冲洗板 Flushing plate	选配 Optional
电连接器插头 Electrical connector plugs	SP-ZH-7P	转接板 Adapter board	选配 Optional

